

## Single Light 682SO

### Features

- Solid brass construction
- Single-post, single light design
- UL listed for damp locations (U.S. and Canada)
- Max. 100 Watt Type A-19 bulb (not supplied) required.
- May be installed with shade facing upward or downward
- Complements Empire product series

### Codes / Standards Compliance

Meets or exceeds the following at date of manufacture:

- UL Listed
- All applicable US Federal and State material regulations

### Colors / Finishes

- PC: Polished Chrome
- PN: Polished Nickel
- SN: Satin Nickel



### Specified Model

Model	Description	Colors   Finishes
682SO	Single Light, Satin Opal Glass	<input type="checkbox"/> PC <input type="checkbox"/> PN <input type="checkbox"/> SN

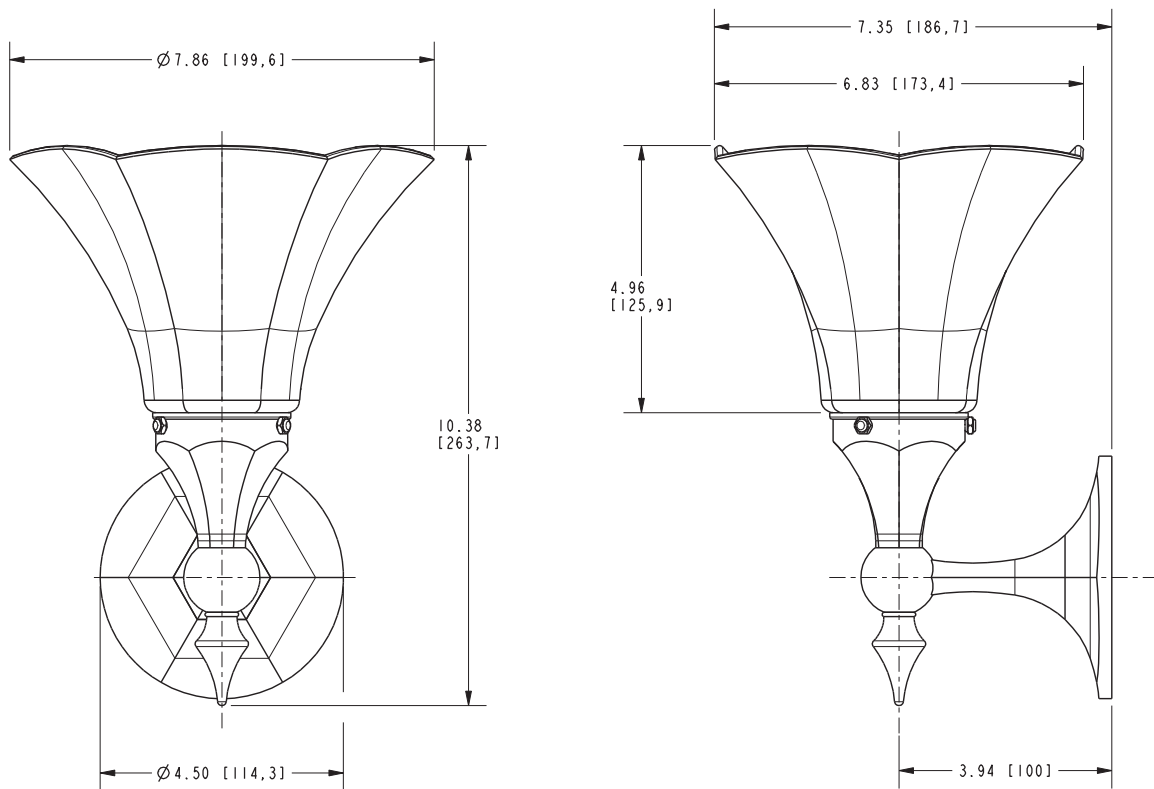
### Replacement Parts

Model	Description	Colors   Finishes
682-G-SO	Replacement Glass Shade, Satin Opal Glass	<input type="checkbox"/> Satin Opal Glass

### Product Specification: Add "Color / Finish" Suffix to Model Number Below

The Single Light shall incorporate solid brass construction and a satin opal glass shade. Single Light shall complement Ginger Empire product series. Single Light shall be Ginger Model 682SO/\_\_\_\_\_.

# 682SO



## Empire Single Light 682SO